

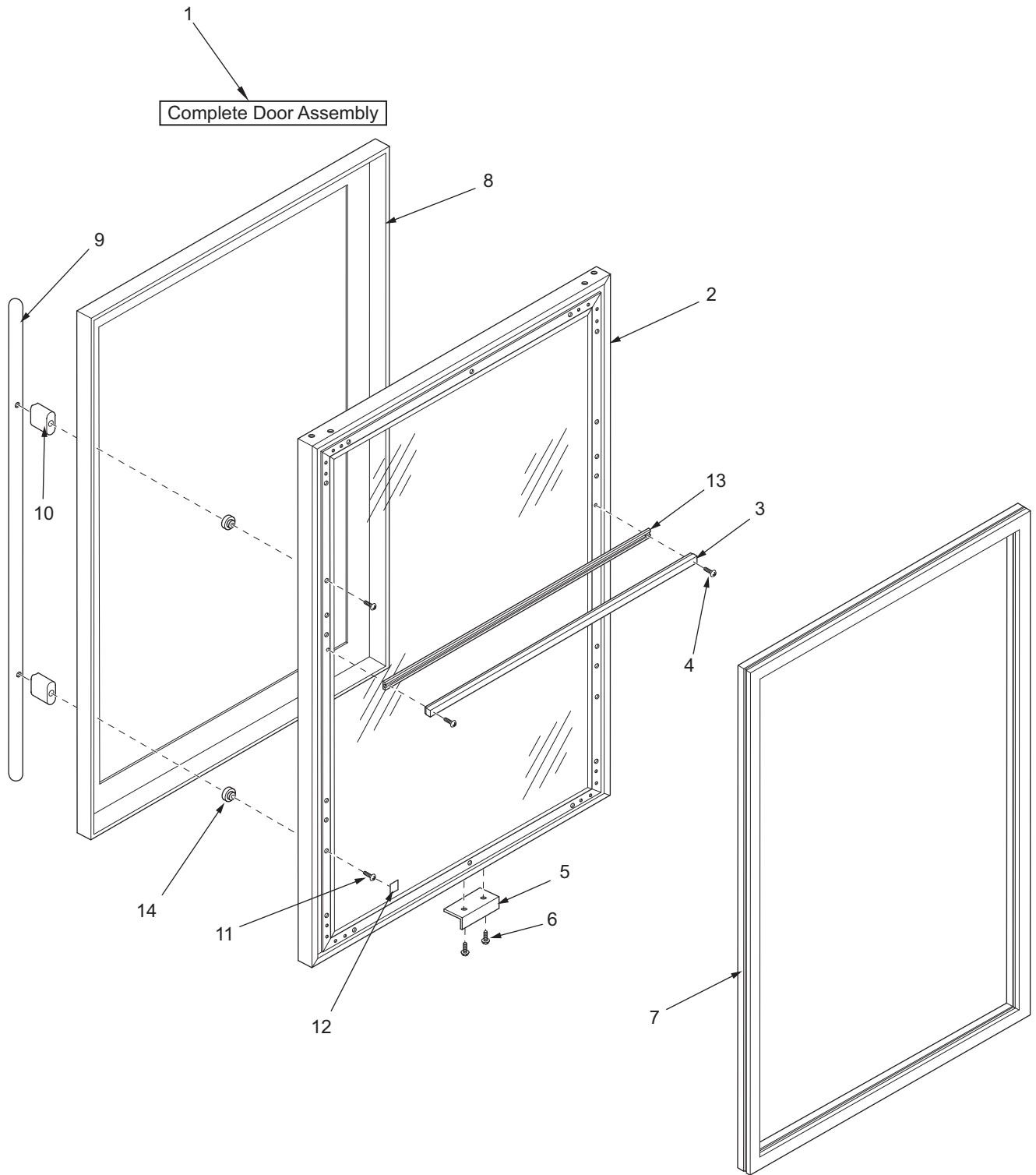


424-2 DOOR PARTS LIST

Ref #	Part #	Description	Ref #	Part #	Description
1.	4134180	Door Assy, SRVC - 424G/O (See SN Breaks)	2.	NA	Must Order Complete Door Assembly
	7005923	Door Assy, Glass SRVC - 424G/O (See SN Breaks)	3.	3212020	Seal, Center
	4134361	Door Assy, HAG 424/O (See SN Breaks)	4.	6201360	Screw, #4 x 3/4" Ph Pan Hd Type A
	7005926	Door Assy, HAG 424 SVCE (RH & LH) (See SN Breaks)	5.	3450990	Switch Depressor, Blk (See SN Breaks)
	4134190	Door Assy, Srvc - 424G/S RH (See SN Breaks)		3450991	Switch Depressor, Slvr (See SN Breaks)
	7005913	Door Assy, RH Stainless Svce (See SN Breaks)		7006471	Brkt, Switch Dprsr Svce (See SN Breaks)
	4134200	Door Assy, Srvc - 424G/S LH (See SN Breaks)	6.	6200050	Screw, #10-12 x 1/2" Pan HD
	7005914	Door Assy, LH Stainless Svce (See SN Breaks)	7.	3211950	Gasket, Door
	4134371	Door Assy, HAG 424G/S RH (See SN Breaks)	8.	4203150	SS Door Panel Pkg, Glass-424RH
	7005921	Door Assy, RH HAG SS Svce (See SN Breaks)		4203160	SS Door Panel Pkg, Glass-424LH
	4134372	Door Assy, HAG 424G/S LH (See SN Breaks)		4135141	Door Skin Assy, SRVC-424G/B-RH
	7005922	Door Assy, LH HAG SS Svce (See SN Breaks)		4135142	Door Skin Assy, SRVC-424G/B-LH
	4135045	Door Assy, SRVC-424G/B-RH		4135151	Door Skin Assy, SRVC-424G/P-RH
	4135046	Door Assy, SRVC-424G/B-LH		4135152	Door Skin Assy, SRVC-424G/P-LH
	4135047	Door Assy, Srvc-424HAG/B-RH		4134161	Door Skin Assy, SRVC-424S/B-RH
	4135048	Door Assy, Srvc-424HAG/B-LH		4134162	Door Skin Assy, SRVC-424S/B-LH
	4135055	Door Assy, SRVC-424G/P-RH		4134171	Door Skin Assy, SRVC-424S/P-RH
	4135056	Door Assy, SRVC-424G/P-LH		4134172	Door Skin Assy, SRVC-424S/P-LH
	4135057	Door Assy, Srvc-424HAG/P-RH		4203190	SS Door Panel Pkg, Solid-424RH
	4135058	Door Assy, Srvc-424HAG/P-LH		4203200	SS Door Panel Pkg, Solid-424LH
	4134210	Door Assy, SRVC-424S/O (See SN Breaks)		4135161	Door Skin Assy, SRVC-424S/B-RH
	7005924	Door Assy, Solid 424/O SVCE (RH & LH) (See SN Breaks)		4135162	Door Skin Assy, SRVC-424S/B-LH
	4134220	Door Assy, SRVC-424S/S-RH (See SN Breaks)		4135171	Door Skin Assy, SRVC-424S/P-RH
	7005917	Door Assy, RH S/S Svce (See SN Breaks)		4135172	Door Skin Assy, SRVC-424S/P-LH
	4134230	Door Assy, SRVC-424S/S-LH (See SN Breaks)	9.	3512030	Handle, Door SS 3/4 X 24.188 -
	7005918	Door Assy, LH S/S Svce (See SN Breaks)		3512031	Handle, Door 3/4 X 24-3/16, B -
	4135063	Door Assy, SRVC-424S/B-RH		3512032	Handle, Door 3/4 X 24-3/16, P -
	4135064	Door Assy, SRVC-424S/B-LH	10.	3512190	Standoff, SS Oval
	4135073	Door Assy, SRVC-424S/P-RH		3512191	Standoff, Oval CarBon
	4135074	Door Assy, SRVC-424S/P-LH		3512192	Standoff, Oval Platinum
			11.	6110650	Machine Screw, #10-24x2 TRHDSS
			12.	6230970	Tape, Black Poly
			13.	2813001	Holder, Compression Gasket - 21.5
				2813101	Holder, Compression Gasket - 21.5 -
			14.	6160250	Spacer, Door Hndl-(SS, carBon, Platinum)

NOTE: Door Assy's do NOT include hinges or switch depressor.

424-2 DOOR VIEW



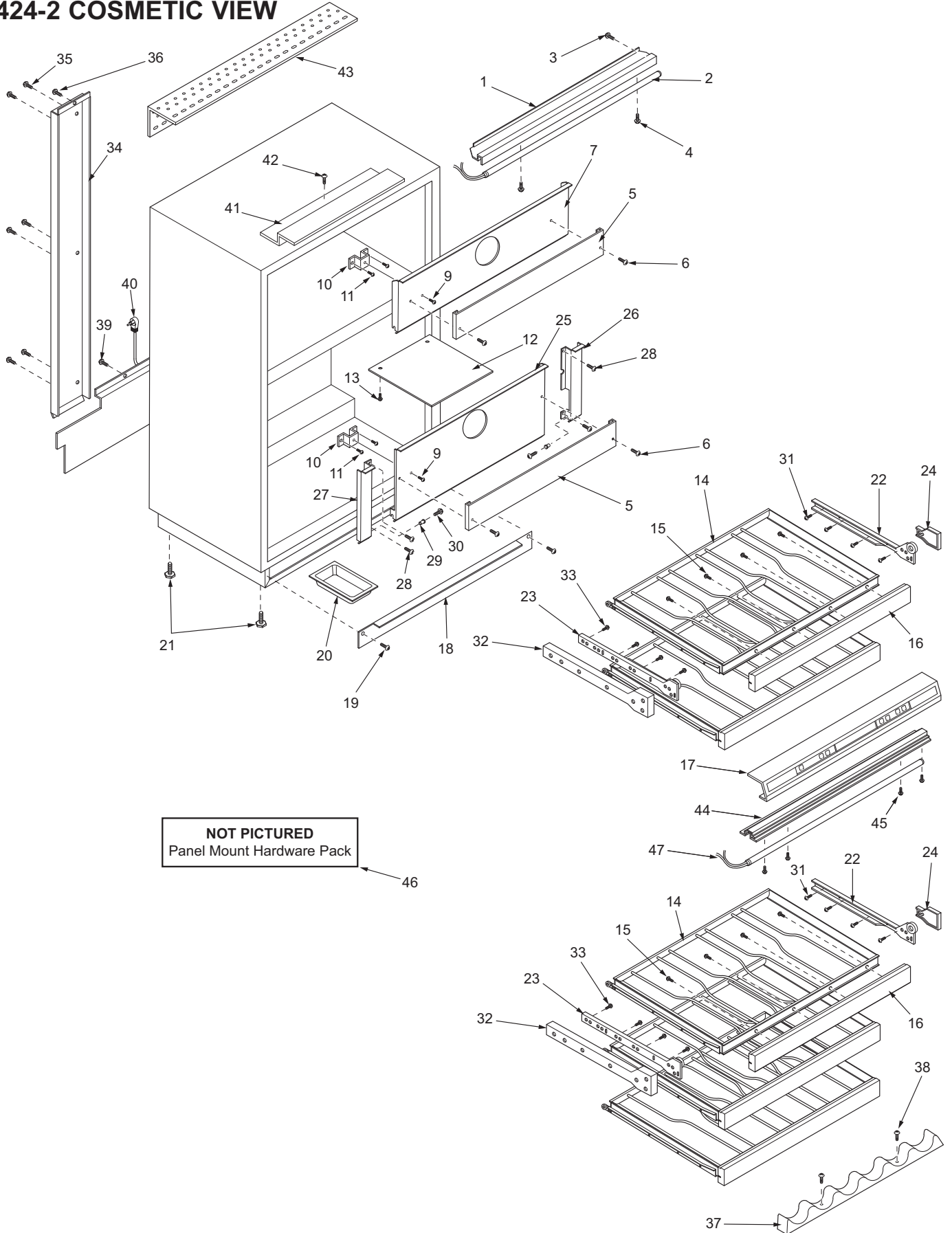


424-2 COSMETIC PARTS LIST

<u>Ref #</u>	<u>Part #</u>	<u>Description</u>	<u>Ref #</u>	<u>Part #</u>	<u>Description</u>
1.	3511670	Light Strip Housing, Upr (See SN Breaks)	23.	3413552	Slide, Cabinet LH
	7006468	Bracket, Light Svce (See SN Breaks)	24.	3421830	Spacer, Slide (Handle Side)
2.	3030150	Light Strip, 15 WATT	25.	7004308	Cover, Evap Lwr Srvc
3.	6201270	Screw, #8-18 x 5/8" PH PN SS-Gnd	26.	0200941	Evap Sprt, RH Lwr Srvc
4.	6201310	Screw, #8 x 1-3/4" Flat PH HD	27.	0200951	Evap Sprt, LH Lwr Srvc
5.	0212321	Diffuser, Evap Fan Srvc	28.	6201270	Screw, #8-18 x 5/8" PH PN SS-Gnd
6.	6201010	Screw, #8-15 x 2" Pan Head	29.	3520120	Brass Insert
7.	7004307	Cover, Evap Upr Srvc	30.	6200130	Screw, #8-18 x 3/4" Truss HD
8.	N/A		31.	6201230	Screw, #8 x 7/8" w/a #7 PH FT Head
9.	6200060	Screw, #8-32 x 1/2" Pan HD	32.	3421820	Spacer, Slide Sprt (Hinge Side)
10.	0169391	Bracket Grounding, SRVC	33.	6201240	Screw, #8X1-3/8" w/a #7 PH FT Head
11.	6201270	Screw, #8-18 x 5/8" PH PN SS-Gnd	34.	0168851	Duct, Back Srvc
12.	4152220	Pnl Assy, Srvc Acc	35.	6201240	Screw, #8 x 1-3/8" w/a #7 PH FT Hd
13.	6200720	Screw, #8-18 x 1/2 PH Truss HD	36.	6200060	Screw, #8-32 x 1/2" Pan HD
14.	4181720	Rack Assy, Wine	37.	3413600	Rack, Bot
15.	6201420	Screw	38.	6201290	Screw, #8-15 PH PN HD SS, White
16.	3516520	Molding, Wood Wine Rack	39.	6200010	Screw, #10-12 x 3/4" Pan HD
17.	4203100	Ctrl Panel Assy, Service 424	40.	4152000	Cvr Assy, Lwr (Incl. Power Cord)
18.	3560120	Kickplate Grille, Blk (See SN Breaks)	41.	0260200	Bracket - Ref to Countertop
	7006472	Kickplate, Black Svce (See SN Breaks)	42.	6200010	Screw, #10-12 x 3/4" Pan HD
	3560100	Kickplate Grille, Slvr (See SN Breaks)	43.	0168810	Anti Tip Bracket - 23-7/8"
	7006474	Kickplate, Silver Svce (See SN Breaks)			<i>NOTE: For Model 424FS, see 0860900</i>
19.	6200050	Screw, #10-12 x 1/2" Pan HD	44.	3511700	Housing, Lwr Light (No Lower Light)
20.	0163150	Drain Pan	45.	6201270	Screw, #8-18 x 5/8" PH PN SS-Gnd
21.	3570050	Leveling Leg, #18-3/8 x 1"	46.	6201430	Panel Mount Hdwr Pk (<i>Not pictured</i>)
22.	3413551	Slide, Cabinet RH	47.	7006466	Light Assy, StripSvce (See SN Breaks)



424-2 COSMETIC VIEW

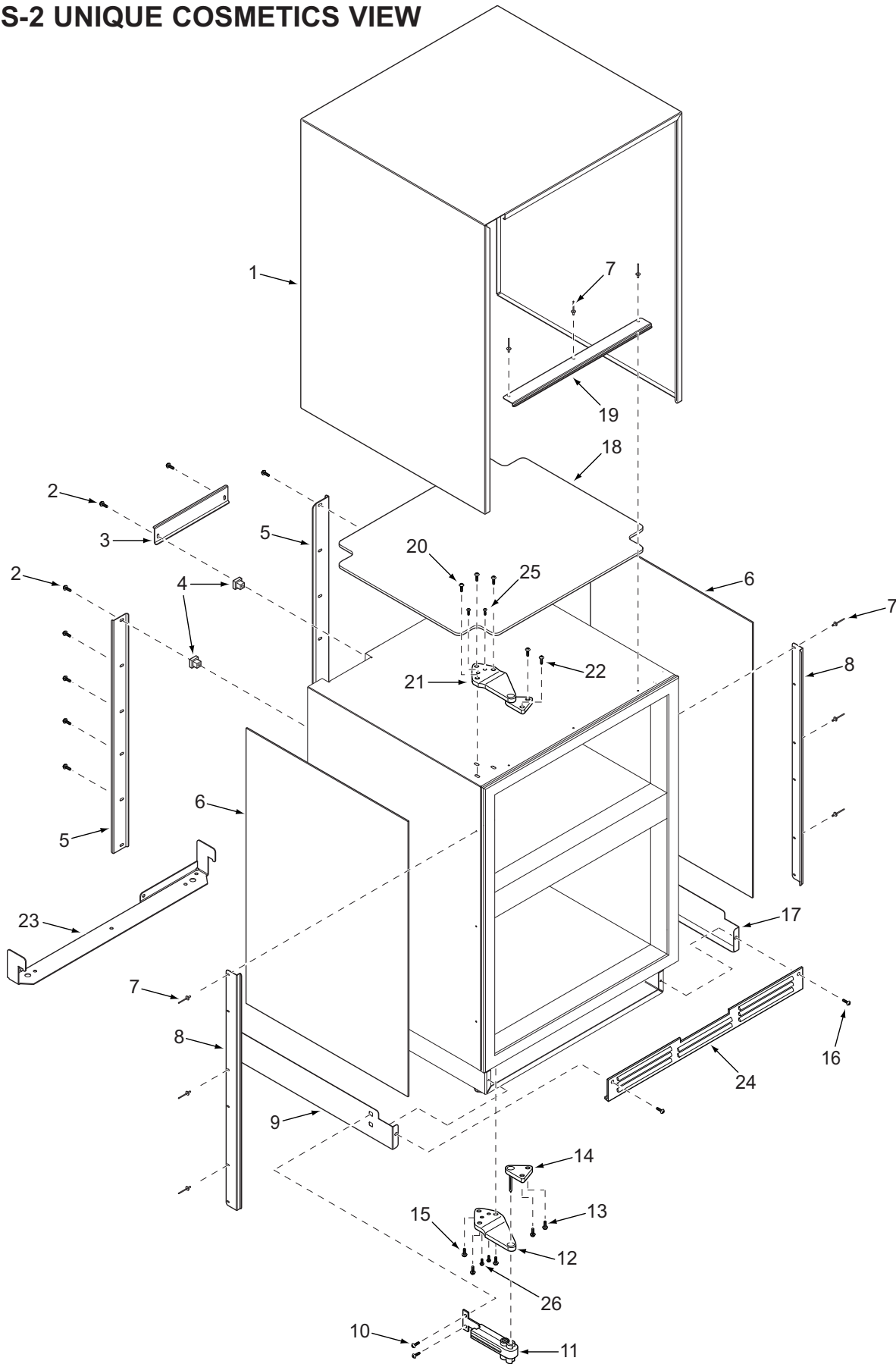




424FS-2 UNIQUE COSMETICS PARTS LIST

<u>Ref #</u>	<u>Part #</u>	<u>Description</u>	<u>Ref #</u>	<u>Part #</u>	<u>Description</u>
1.	0810101	Overlay, SS RH Srvc	14.	3541095	Hinge, Door Bottom, Silver - RH
	0810111	Overlay, SS LH Srvc		3541096	Hinge, Door Bottom, Silver - LH
2.	6200130	Screw, #8-18 x 3/4" Truss HD (10)	15.	6200780	Screw, #10-24 x 1/2" PH Hex Washer (3)
3.	4152100	Bracket, Back Top Assy	16.	6200120	Screw, #10-12 x 1/2" Truss HD
4.	6220320	Screw Grommet (10)	17.	4152131	Cover, Base - Handle Side - RH
5.	4152110	Bracket, Back Side (2)		4152132	Cover, Base - Handle Side - LH
6.	3220830	Foam Pad, 125 X 29.2 X 19.8 (2)	18.	3220820	Foam Pad, .25 X 22.8 X 19.5
7.	6180210	Pop Rivet, 1/8 X 3/16 (9)	19.	0860921	Bracket, Front TopSrvc
8.	0860911	Bracket, Front Side Srvc (2)	20.	6110540	Bolt, #10-24 x 1/2" Flat Socket HD (3)
9.	4152121	Cover, Base Assy. - Hinge Side - RH	21.	3541122	Hinge, Cabinet Top Assy Silver
	4152122	Cover, Base Assy. - Hinge Side - LH	22.	6110540	Bolt, #10-24 x 1/2" Flat Socket HD (2)
10.	6200330	Screw, #8-18 x 3/8" Pan Head (2)	23.	0860900	Bracket, Anti-Tip
11.	3540810	Door Closer	24.	3560110	Kickplate, Grille (See SN Breaks)
12.	3541112	Hinge, Cabinet Bottom-Silver		7010279	Kckplate,FreeStandSvce(See SN Breaks)
13.	6200780	Bolt, #10-24 x 1/2" Flat Socket HD (2)	25.	6200210	Screw, #8-32 x 1/2" Flat Head (2)
			26.	6201500	Screw, #10X3/4 Drill PH Hex (2)

424FS-2 UNIQUE COSMETICS VIEW



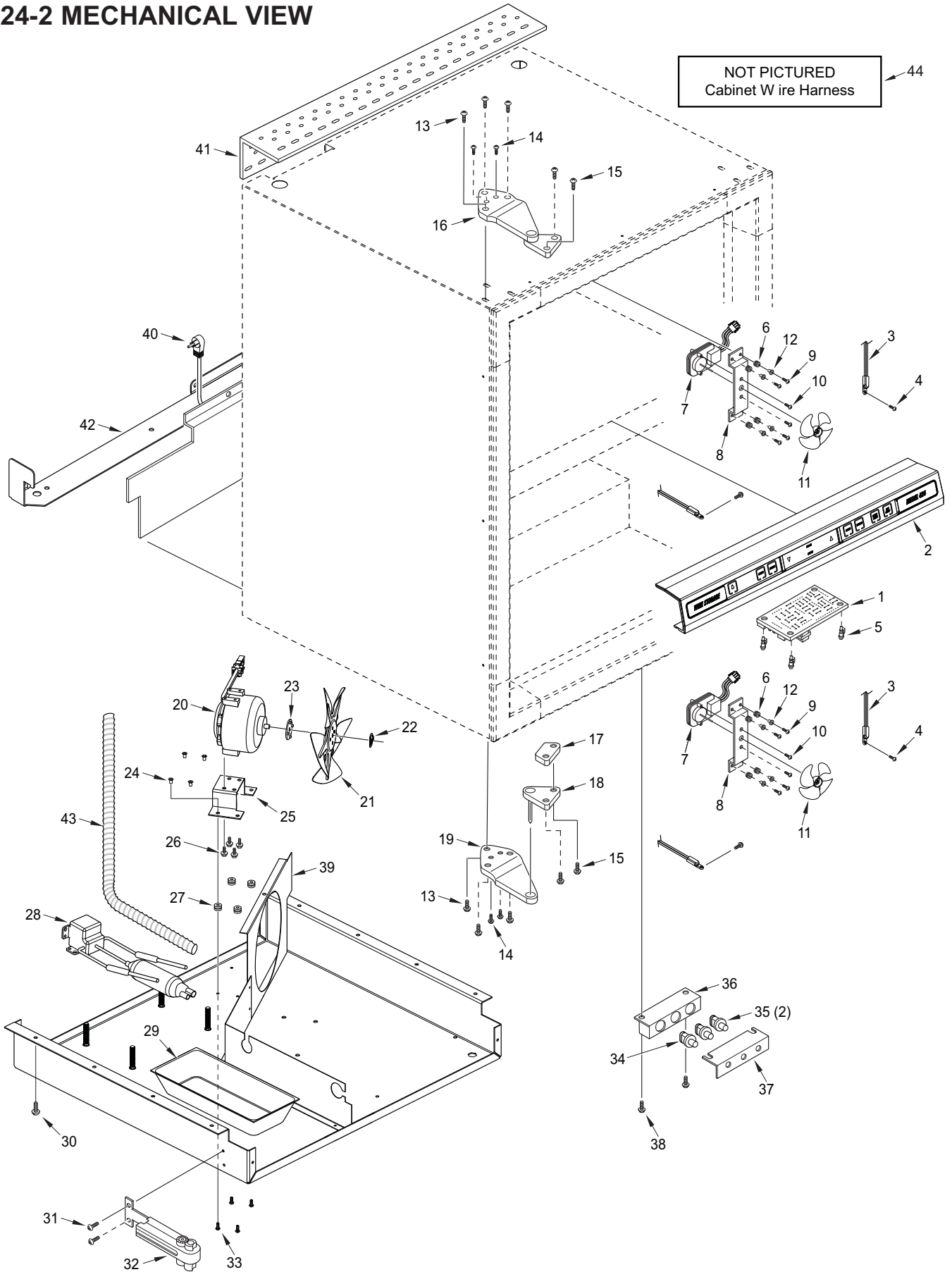


424-2 MECHANICAL PARTS LIST

Ref #	Part #	Description	Ref #	Part #	Description
1.	4204170	Control Board, Service 400	21.	3150940	Blade, Condenser Fan
	7004024	Control, Board 400 Svce (RoHS Only)	22.	6150410	Nut, 1/4-20
2.	4203100	Control Panel Pkg, SRVC - 424	23.	3210340	Neoprene Silencer, 7/8"
	7004190	Panel Assy, Cntrl 424 Svce (RoHS Only)	24.	6220290	Stand-Off, #6-32 (4)
3.	4204150	Thermistor, ASM Srvc Pkg	25.	0261051	Brkt, Cond Fan Srvc (See SN Breaks)
4.	6201270	Screw, #8-18 x 5/8" PH PN SS-Gnd		0263131	Bracket, Cond. Srvc (See SN Breaks)
5.	3450810	Circuit Board Support	26.	6201580	Screw,#8-36 X 1/2 Nylon Patch (4)
6.	3220250	Grommet, Rubber-#M5351	27.	3220160	Grommet, 3/16" x 7/16" x 9/32"
7.	4220801	Motor Assy, Evap Fan (Incl Brkt & Blade)	28.	4204160	Refrigerant Valve Assembly
8.	0212330	Bracket, Evap Fan Motor	29.	0163150	Drain Pan
9.	6201270	Screw, #8-18 x 5/8" PH PN SS-Gnd	30.	6200010	Screw, #10-12 x 3/4" Pan HD
10.	6110270	Bolt, #10-32 x 1/4" RD HD	31.	6200330	Screw, #8-18 x 3/8" Pan Head (2)
11.	3150640	Fan , Evap Fan	32.	3540810	Closer, Door 150Lb
12.	3520120	Brass Insert, Fan Bracket	33.	6200610	Screw, #6-32 x 3/8" PH Rd Hd, Zinc (4)
13.	6110540	Bolt, #10-24 x 1/2" Flat Socket HD (3)	34.	7004257	Switch, Light White Svce (N.C.)
14.	6200210	Screw, #8-32 x 1/2" Flat Head (2)		7004258	Switch, Light Black Svce (N.C.)
15.	6110540	Bolt, #10-24 x 1/2" Flat Socket HD (2)	35.	7004259	Switch, Fan White Svce (N.O.)
	6110811	Bolt, #10-24X3/4 Ph Flat Hd, B (2)		7004260	Switch, Fan Black Svce (N.O.)
16.	3541121	Hinge, Cabinet Top Assy Black	36.	0862391	Brkt, Triple Switch Srvc (See SN Breaks)
	3541122	Hinge, Cabinet Top Assy Silver		7006470	Brkt, Switch Box Svce (See SN Breaks)
17.	3541131	Shim, Door Black (Ovelay Units)	37.	0862380	Guard, Switch
18.	7004869	Hinge,Door Bot-RH Black Svce	38.	6200060	Screw, #8-32 x 1/2" Pan HD (2)
	7004872	Hinge,Door Bot-RH,Silver Svce	39.	0862221	Shroud, Cond Fan Srvc
	7004870	Hinge,Door Bot-LH,Black Svce	40.	4152000	Cvr Assy, Lwr (Incl. Power Cord)
	7004871	Hinge,Door Bot-LH,Silver Svce	41.	0168810	Anti Tip Bracket - 23-7/8"
19.	3541110	Hinge, Cabinet Bottom- Black			NOTE: For Model 424FS, see 0860900
	3541112	Hinge, Cabinet Bottom-Silver	42.	0860900	Bracket, Anti-Tip (for Model 424FS)
20.	3150930	Motor, Condenser 1 WATT	43.	1601400	Drain Tube, Wire - 1/2" x 72"
NOT PICTURED:					
			44.	3025730	W/H, Cab 424 (See SN Breaks)
				7006467	W/H, Cabinet Svce (See SN Breaks)



424-2 MECHANICAL VIEW



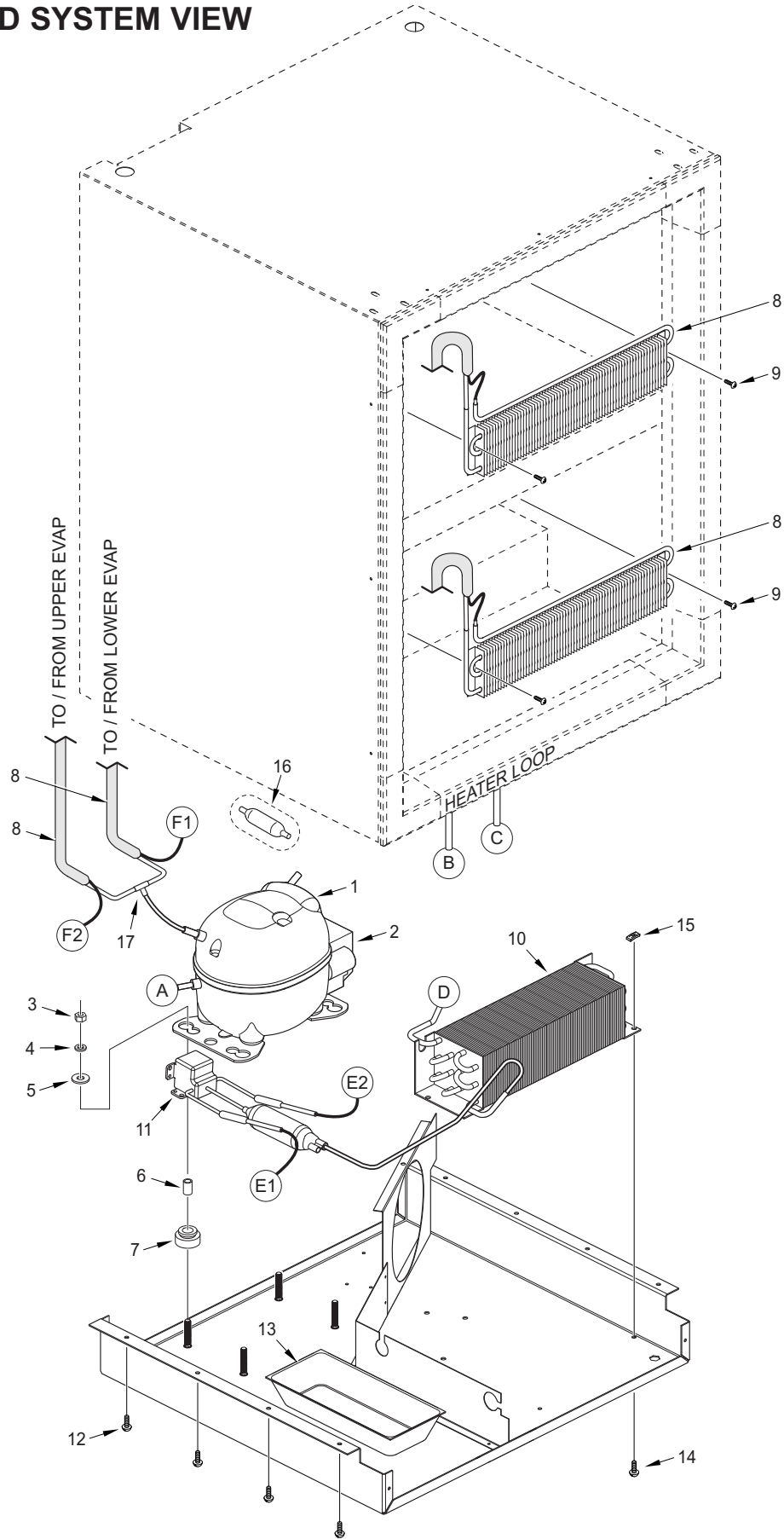


424-2 SEALED SYSTEM PARTS LIST

<u>Ref #</u>	<u>Part #</u>	<u>Description</u>
1.	4203230	Comp Pkg, Srvc Wine EMI30HER (Includes Valve Assembly)
2.	3112212	Electrical Assy, EMT30HSC Comp (Used w/Production EMT30HSC Comp)
	7005578	Capacitor, 12Mf Svce (Used w/Production EMT30HSC Comp)
	3112270	Term Cvr Spring, DC51C (Used w/Production EMT30HSC Comp)
	3111370	Relay, EMB 1351400 OR 213514008 (Used w/Service EMI30HER Comp)
	3111410	Overload, (4TM734LFB) (Used w/Service EMI30HER Comp)
3.	6150220	Nut, 5/16-18 Hex Zinc
4.	6240090	Lock Washer, 5/16"
5.	6240050	Flat Washer, 5/16"
6.	6160030	Spacer, 5/16 x 7/16 x 5/8"
7.	3150010	Rubber Grommet, Small, 5/8"
8.	4211540	Evap Assy (Includes Heat Exchanger) (See SN Breaks)
	4211541	Evap Assy, Srvc 424-2 (Includes Heat Exchanger) (See SN Breaks)
9.	6201270	Screw, #8-18 x 5/8" PH PN SS-Gnd
10.	3120300	Condenser (See SN Breaks)
	3120440	Condenser, Wire on Tube (See SN Breaks)
11.	4204160	Refrigerant Valve Assembly (Includes Drier)
12.	6200010	Screw, #10 -12 x 3/4" Pan HD
13.	0163150	Drain Pan
14.	6200110	Screw, #10 -12 x 5/8" Truss SS
15.	6150080	Nut-Flat, #10-24
16.	3014100	Suction Line Drier (Service Only)
17.	3520500	Tube, Fitting Tee-5/16"ID



424-2 SEALED SYSTEM VIEW





427-2 DOOR PARTS LIST

<u>Ref #</u>	<u>Part #</u>	<u>Description</u>
1.	4132743	Door Assy, Glass RH 427 Srvc
	4132744	Door Assy, Glass LH 427 Srvc
	4134381	Door Assy, HAG 427G RH
	4134382	Door Assy, HAG 427G LH
	4136490	Door Assy, Solid RH 427 Srvc
	4136491	Door Assy, Solid RH 427 Srvc
NOTE: Door Assy's do NOT include hinges, handle or switch depressor.		
2.	3212030	Seal, Center
3.	6201360	Screw, #4 x 3/4" PH PAN HD TYPE A
4.	6230970	Tape, Black Poly
5.	3211960	Gasket, Door
6.	2813201	Holder, Compression Gasket 24.4

NOTE: Door panels on this model are a Sales Accessory. For part numbers of complete door panel sets or components of the door panel sets, contact the factory.