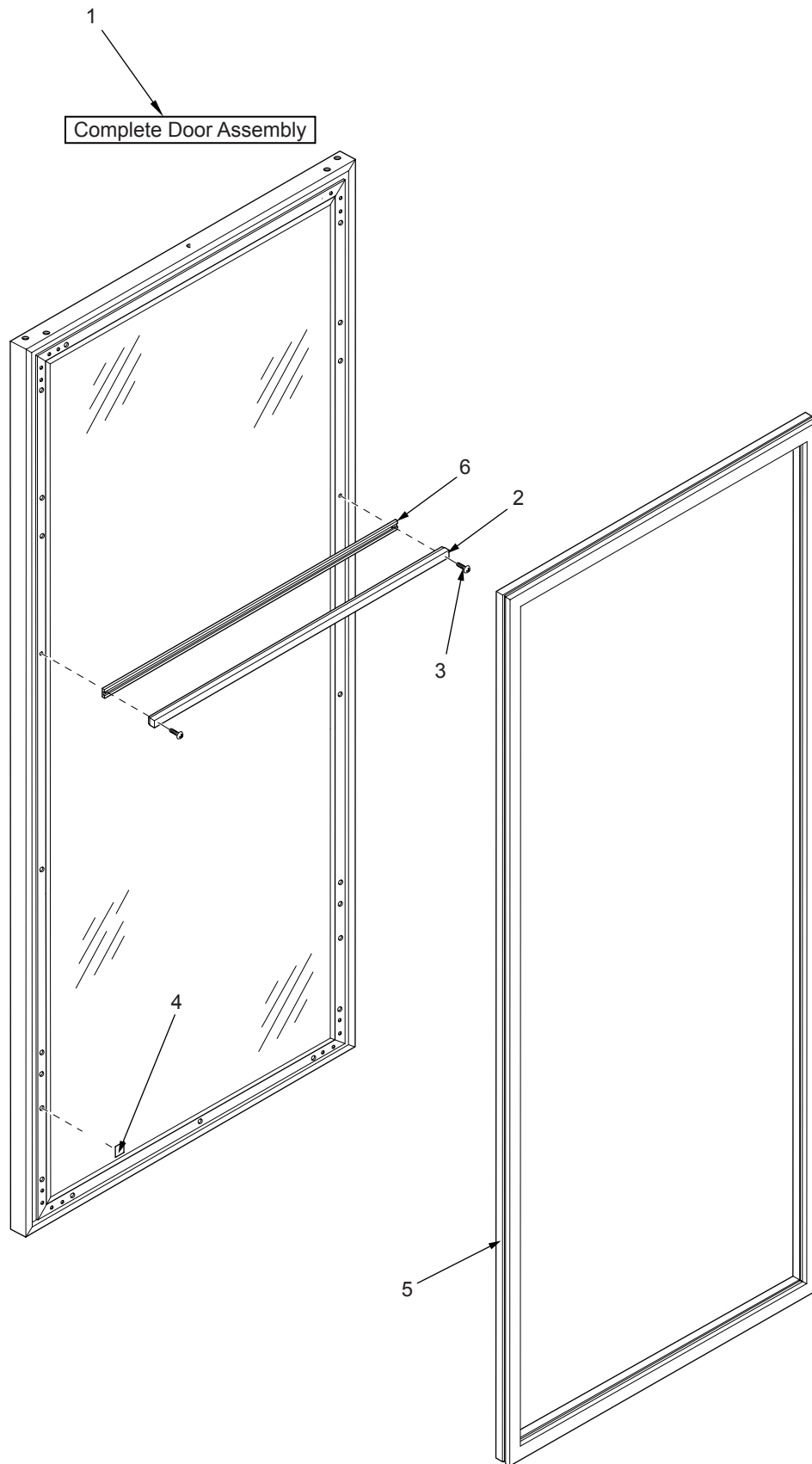


## 427 DOOR VIEW PARTS LIST

1. 4132741 Glass Door Assy- RH (Does Not Include Hinges or Handle)
- 4132742 Glass Door Assy- LH (Does Not Include Hinges or Handle)
- 4134381 Door Assy, (High Altitude) -427-G RH
- 4134382 Door Assy, (High Altitude) -427-G LH
- 4133001 Door Assy, Solid - RH (Does Not Include Hinges or Handle)
- 4133002 Door Assy, Solid - LH (Does Not Include Hinges or Handle)
2. 3212030 Seal, Center
3. 6201360 Screw, #4 x 3/4" PH PAN HD TYPE A
4. 6230970 Tape, Black Poly
5. 3211960 Gasket, Door
6. 2813201 Holder, Compression Gasket 24.4

**NOTE:** Door panels on this model are a sales accessory. For part numbers of complete door panel sets or components of the door panel sets, contact the factory.

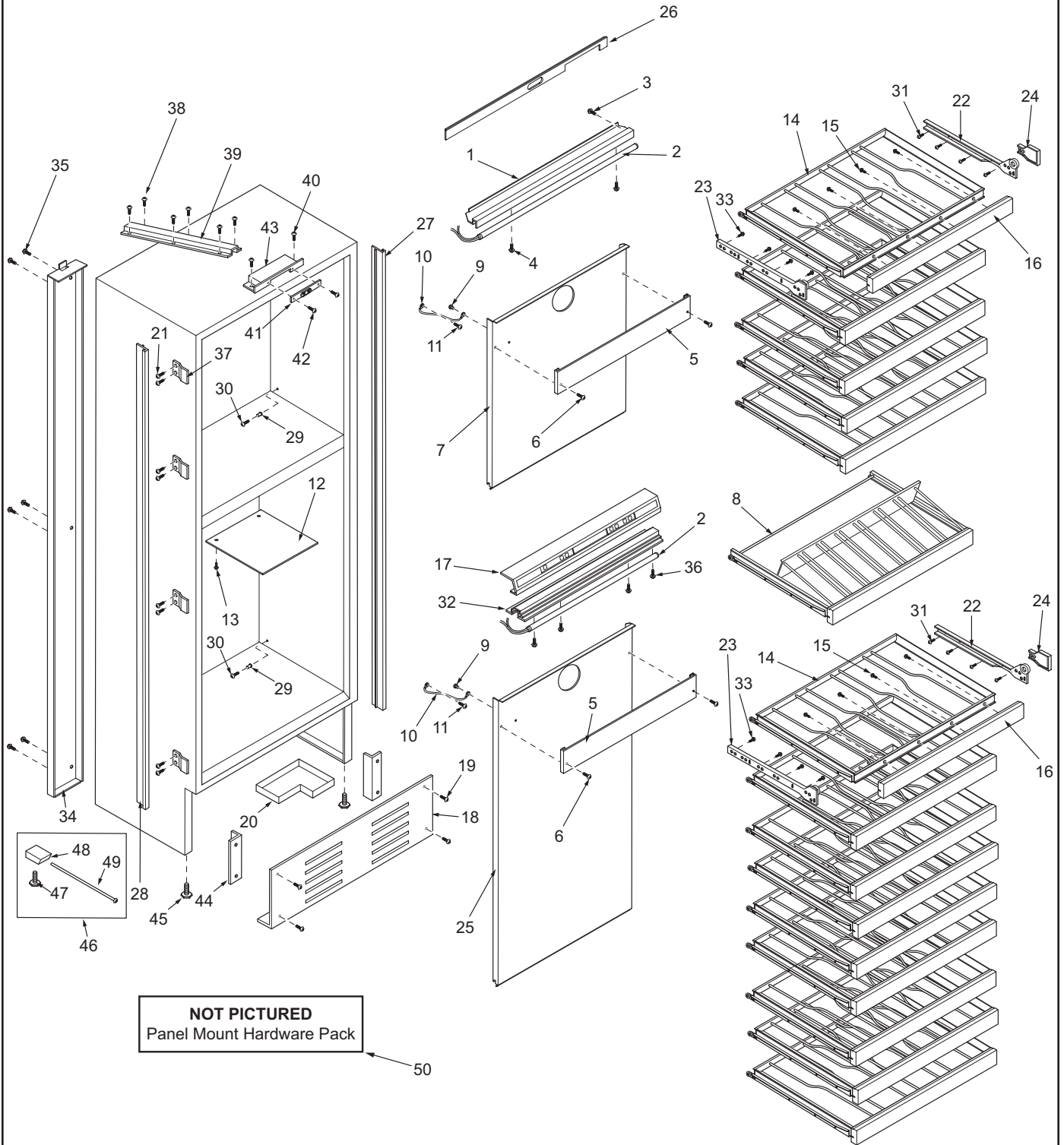
**427 DOOR VIEW**



427 COSMETIC VIEW PARTS LIST

- |     |         |                                    |     |         |                                     |
|-----|---------|------------------------------------|-----|---------|-------------------------------------|
| 1.  | 3511680 | Extrusion, Upper Light             | 26. | 3516451 | Molding, Top RH (See SN Breaks)     |
| 2.  | 3030150 | Light Strip, 15 WATT               |     | 3516680 | Molding, Top RH (See SN Breaks)     |
| 3.  | 6201270 | Screw, #8-18 x 5/8" PH PN SS-Gnd   |     | 3516452 | Molding, Top LH (See SN Breaks)     |
| 4.  | 6201310 | Screw, #8 x 1-3/4" Flat PH HD      |     | 3516680 | Molding, Top LH (See SN Breaks)     |
| 5.  | 0212340 | Cover, Evap Fan                    | 27. | 3516010 | Side Molding                        |
| 6.  | 6201010 | Screw, #8-15 x 2" Pan Head         | 28. | 3516010 | Side Molding                        |
| 7.  | 0201090 | Evap Cover, UPR-LH UNIT            | 29. | 3520120 | Brass Insert                        |
|     | 0201100 | Evap Cover, UPR-RH UNIT            | 30. | 6200130 | Screw, #8-18 x 3/4" Truss HD        |
| 8.  | 4181770 | Rack Assy, Display Wine            | 31. | 6201230 | Screw, #8 x 7/8" w/a #7 PH FT Head  |
| 9.  | 6180010 | Pop Rivet, 1/8"                    | 32. | 3511710 | Housing, Lower Light                |
| 10. | 4323860 | Ground Wire Assy                   | 33. | 6201230 | Screw, #8 x 7/8" w/a #7 PH FT Head  |
| 11. | 6201270 | Screw, #8-18 x 5/8" PH PN SS-Gnd   | 34. | 0169160 | Duct, Back                          |
| 12. | 0184410 | Panel, Srvc/Access (See SN Breaks) | 35. | 6201240 | Screw, #8X1-3/8" w/a #7 PH FT Hd    |
|     | 4152220 | Pnl Assy, Srvc Acc (See SN Breaks) | 36. | 6201270 | Screw, #8-18 x 5/8" PH PN SS-Gnd    |
| 13. | 6200720 | Screw, #8-18 x 1/2 PH Truss HD     | 37. | 3421510 | Bracket-Unit to Cabinetry           |
| 14. | 4181730 | Wine Rack Assembly                 | 38. | 6200010 | Screw, #10-12 x 3/4" Pan HD         |
| 15. | 6201420 | Screw                              | 39. | 0169290 | Raceway, Wire                       |
| 16. | 3516530 | Molding, Wood Wine Rack            | 40. | 6200010 | Screw, #10-12 x 3/4" Pan HD         |
| 17. | 4203110 | Control Panel Pkg, SRVC - 427      | 41. | 3450920 | Bracket, Switch Mnt (See SN Breaks) |
| 18. | 3560020 | Kickplate/Grille - RH              |     | 3450980 | Bracket, Switch Mnt (See SN Breaks) |
|     | 3560030 | Kickplate/Grille - LH              | 42. | 6200210 | Screw, #8-32 x 1/2" Flat Head       |
| 19. | 6200050 | Screw, #10-12 x 1/2" Pan HD        | 43. | 0169260 | Switch Enclosure (See SN Breaks)    |
| 20. | 0168880 | Pan, Drain                         |     | 0261710 | Box, Switch RH (See SN Breaks)      |
| 21. | 6200720 | Screw, #8-18 x 1/2 PH Truss HD     |     | 0261720 | Box, Switch LH (See SN Breaks)      |
| 22. | 3413551 | Cabinet Slide, RH                  | 44. | 0169400 | Bracket, Kickplate                  |
| 23. | 3413552 | Cabinet Slide, LH                  | 45. | 3570060 | Front Leveler Bolt                  |
| 24. | 3421830 | Slide Spacer                       | 46. | 4202000 | Rear Leveler Assembly               |
| 25. | 0201030 | Evap Cover, LWR-LH-UNIT            | 47. | N/A     | Rear leveler Foot - (See 4202000)   |
|     | 0201040 | Evap Cover, LWR-RH-UNIT            | 48. | N/A     | Leveler Assy, Rear - (See 4202000)  |
|     |         |                                    | 49. | 3421500 | Adjusting Rod                       |
|     |         |                                    | 50. | 6201430 | (Not pictured) Panel Mount Hdwr Pk  |

**427 COSMETIC VIEW**



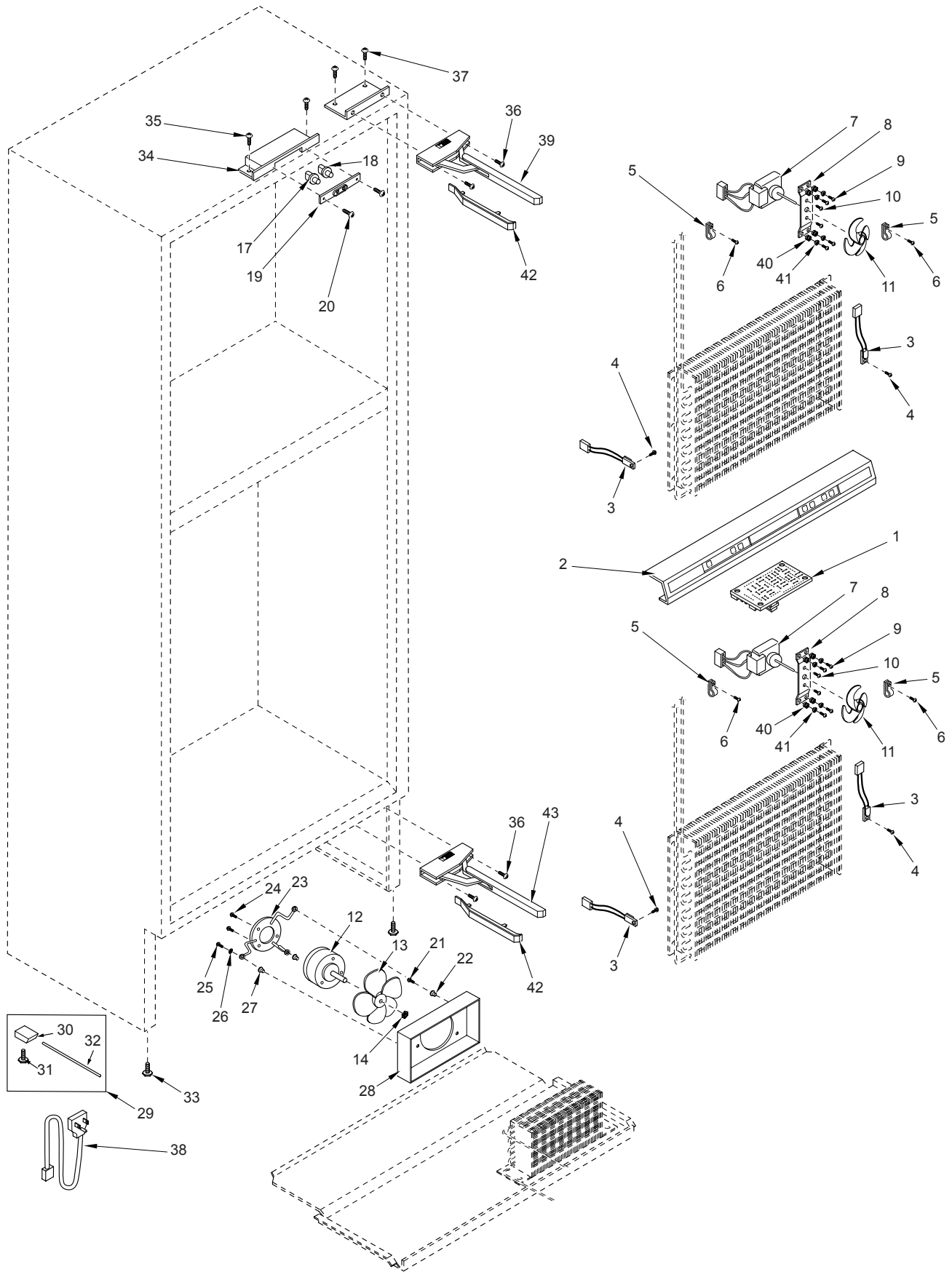
427 MECHANICAL VIEW PARTS LIST

- |     |         |  |     |         |   |
|-----|---------|--|-----|---------|---|
| 1.  | 4203140 | Control Board PKG, SRVC 400                                      | 25. | 6201280 | Machine Screw, #10-32 x 1-1/4"                      |
| 2.  | 4203110 | Control Panel Pkg, SRVC - 427                                    | 26. | 6240350 | Fender Washer, .25x1.25x.06                         |
| 3.  | 3014350 | Thermistor   | 27. | 6150330 | Well Nut, .75D x .804", #10-32                      |
| 4.  | 6201270 | Screw, #8-18 x 5/8" PH PN SS-Gnd                                 | 28. | 0169340 | Fan Shroud, Condenser                               |
| 5.  | 6120030 | Tube Clamp, Plastic 1/4"   | 29. | 4202000 | Rear Leveler Assembly                               |
| 6.  | 6201270 | Screw, #8-18 x 5/8" PH PN SS-Gnd                                 | 30. | N/A     | Rear leveler Foot - (See 4202000)                   |
| 7.  | 4220490 | Fan Motor Assy (Incl. Brkt & Screws)                             | 31. | N/A     | Leveler Assy, Rear - (See 4202000)                  |
| 8.  | 0212330 | Bracket, Evap Fan Motor  | 32. | 3421500 | Adjusting Rod                                       |
| 9.  | 6201270 | Screw, #8-18 x 5/8" PH PN SS-Gnd                                 | 33. | 3570060 | Front Leveler Bolt                                  |
| 10. | 6110270 | Bolt, #10-32 x 1/4" RD HD  | 34. | 0169260 | Switch Enclosure (See SN Breaks)                    |
| 11. | 3150640 | Fan blade, Evaporator  |     | 0261710 | Box, Switch RH (See SN Breaks)                      |
| 12. | 4200740 | Condenser Fan Motor Components<br>(Blade & Bracket NOT included) |     | 0261720 | Box, Switch LH (See SN Breaks)                      |
| 13. | 3150660 | Condenser Fan Blade  | 35. | 6200010 | Fan Shroud, Condenser                               |
| 14. | 6150410 | Nut, 1/4-20  | 36. | 6201140 | Screw, 1/4-20 x 1/2" Sems But HD                    |
| 15. | 4203060 | Valve/Sol Components, UPR-Wine                                   | 37. | 6200780 | Screw, #10-24 x 1/2" PH Hex Washer                  |
|     | 4203070 | Valve/Sol Components, LWR-Wine                                   | 38. | 4324800 | Retractor Assy, Power Cord                          |
| 16. | N/A     | (Included w/ Valve/Sol Components)                               | 39. | 3541031 | Top Hinge Assy - RH (Used at<br>Bottom on LH Units) |
| 17. | 3060030 | Light Switch, Normally (1)                                       |     | 3541032 | Top Hinge Assy - LH (Used at Bottom<br>on RH Units) |
| 18. | 3060020 | Fan Switch, Normally Open (1 or 2)                               | 40. | 3220250 | Grommet, Rubber-#M5351                              |
| 19. | 3450920 | Bracket, Switch Mnt (See SN Breaks)                              | 41. | 3520120 | Brass Insert, Fan Bracket                           |
|     | 3450980 | Bracket, Switch Mnt (See SN Breaks)                              | 42. | 3541050 | Hinge Cover   |
| 20. | 6200210 | Screw, #8-32 x 1/2" Flat Head                                    | 43. | 3541031 | Top Hinge Assy - RH (Used at<br>Bottom on LH Units) |
| 21. | 6200450 | Screw, #8 x 1" Type AR Flat                                      |     | 3541032 | Top Hinge Assy - LH (Used at Bottom<br>on RH Units) |
| 22. | 3420670 | Screw Spacer   |     |         |   |
| 23. | 3150670 | Bracket, Cond Fan - Wine   |     |         |   |
| 24. | 6200490 | Screw, #8-32 x 3/8" Slotted Hex T25                              |     |         |   |

**Not Pictured**

- 3021920 Wire Harness, Cabinet

**427 MECHANICAL VIEW**



**427 SEALED SYSTEM VIEW PARTS LIST**

1. 4203060 Valve/Sol Components, UPR-Wine
- 4203070 Valve/Sol Components, LWR-Wine
2. 6160030 Spacer, 5/16 x 7/16 x 5/8"
3. 3150010 Rubber Grommet, Small, 5/8"
4. 6240050 Flat Washer, 5/16"
5. 6200140 Screw, #8-15 x 3/8" Truss HD
6. 6120030 Tube Clamp, Plastic 1/4"
7. 3014420 Drier, Service Wine
8. 6240050 Flat Washer, 5/16"
9. 6240090 Lock Washer, 5/16"
10. 6150220 Nut, 5/16-18 Hex Zinc
11. 4203230 Compressor Pkg. SRVC-WINE(EMI30HER)
- 3111370 Relay, (1351400)
- 3111410 Overload, (4TM734LFB)
12. 6200110 Screw, #10-12 x 5/8" Truss SS
13. 6201270 Screw, #8-18 x 5/8" PH PN SS-Gnd
14. 4211550 Evap Assy, UPR (Includes Heat Exchanger)
- 3130280 Evaporator
- 4251440 Heat Exchanger
15. 0862330 Bracket, Solenoid
16. 6200330 Screw, #8-18 x 3/8" Pan Head
17. 3120360 Condenser
18. 4211560 Evap Assy, LWR (Includes Heat Exchanger)
- 3130280 Evaporator
- 4251450 Heat Exchanger
19. 6150080 Nut-Flat, #10-24
20. 0140360 Tray, Unit

### 427 SEALED SYSTEM VIEW

