



**PLANNING INFORMATION**

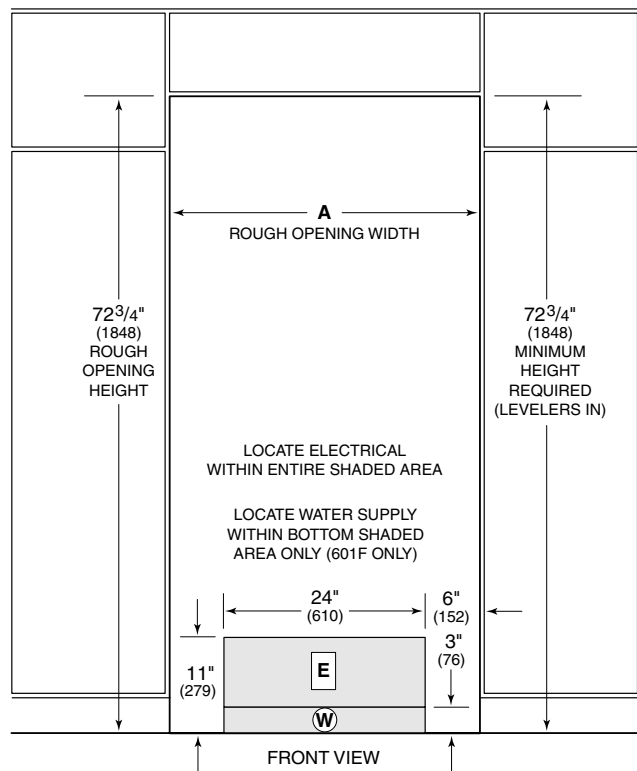
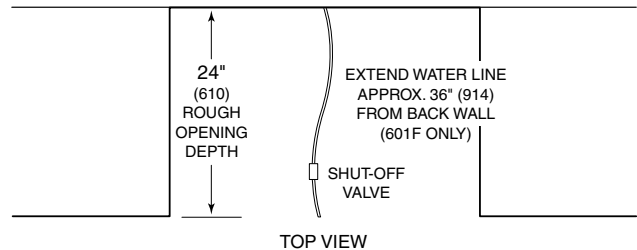
Although the 600 Series offers a wide range of designs and configurations, the basic planning considerations for all models have much in common. As you integrate Sub-Zero units into your overall plan, review installation requirements for your particular units. The following illustrations and charts provide planning information for all Sub-Zero 600 Series units – framed, overlay and stainless steel.

Allow door(s) to open a minimum of 90° or you'll have problems removing drawers. With the door opening at 90°, you may have to move drawers slightly to clear the door interior. Refer to the minimum door clearances in the following charts.

- For corner installations, allow for a minimum 3" (76) filler so that the door can open to 90°. If you're using raised panels, consider using a wider filler.
- When units are installed side by side, use a filler strip. The width of this filler strip will vary depending on the configuration and panels you use.
- Be sure to add the filler strip width to your finished rough-in dimension. In any side by side installation without a filler strip, add an additional 1/2" (13) to your combined numbers. This will allow for the proper width.

**IMPORTANT NOTE:** Refer to the full-scale illustrations in the Framed and Overlay Panel Applications sections for specifics on door openings and filler size alternatives.

**MODELS 601R, 601RG AND 601F**



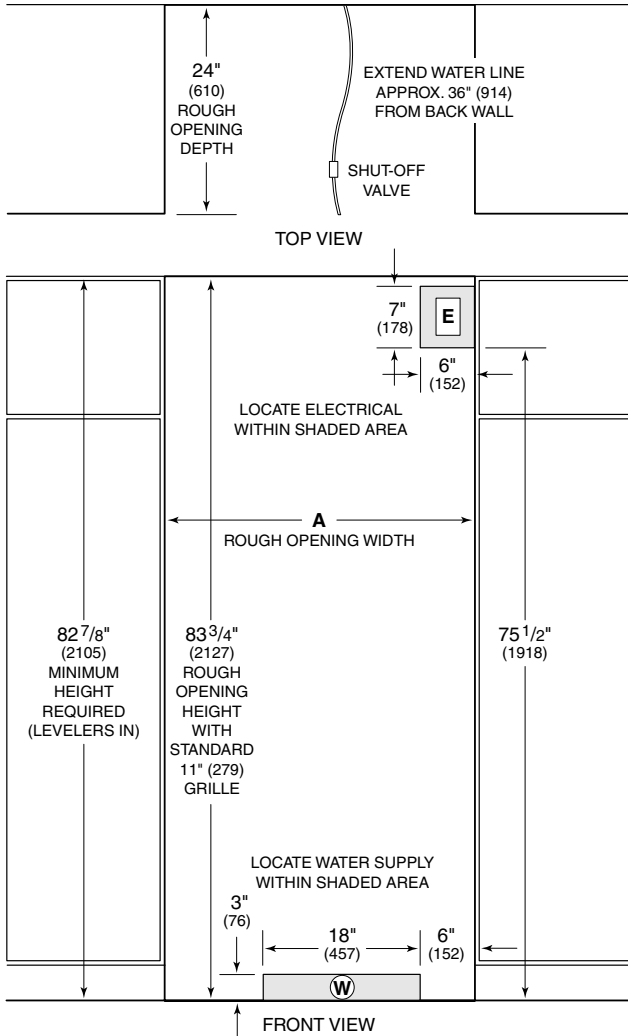
	Finished Rough Opening Width (A)	Minimum Door Clearance (B)
<b>Model 601R</b>	35 <sup>1</sup> / <sub>2</sub> " (902)	36 <sup>1</sup> / <sub>16</sub> " (916)
<b>Model 601RG</b>	35 <sup>1</sup> / <sub>2</sub> " (902)	36 <sup>1</sup> / <sub>16</sub> " (916)
<b>Model 601F</b>	35 <sup>1</sup> / <sub>2</sub> " (902)	36 <sup>1</sup> / <sub>16</sub> " (916)

NOTE: Dimensions in parentheses are in millimeters.

- ▶ Dimensions in parentheses are in millimeters unless otherwise specified.
- ▶ Refer to the Sub-Zero Design Guide pdf file for additional specifications.



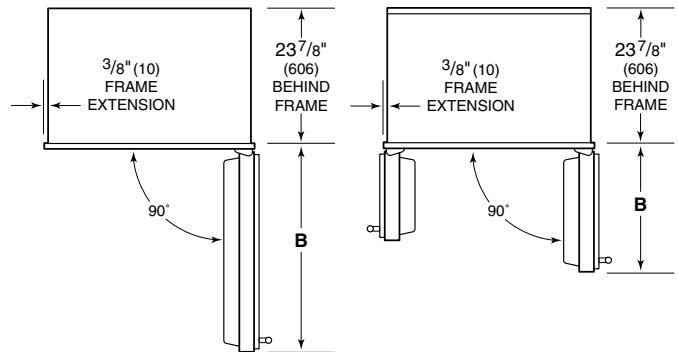
MODELS 611, 611G, 650, 650G, 561, 661, 642, 680, 685, 632, 690 AND 695



	Finished Rough Opening Width (A)	Minimum Door Clearance (B)
<b>Model 611</b>	29 <sup>1</sup> / <sub>2</sub> " (749)	30 <sup>1</sup> / <sub>8</sub> " (765)
<b>Model 611G</b>	29 <sup>1</sup> / <sub>2</sub> " (749)	30 <sup>1</sup> / <sub>8</sub> " (765)
<b>Model 650</b>	35 <sup>1</sup> / <sub>2</sub> " (902)	36 <sup>1</sup> / <sub>16</sub> " (916)
<b>Model 650G</b>	35 <sup>1</sup> / <sub>2</sub> " (902)	36 <sup>1</sup> / <sub>16</sub> " (916)
<b>Model 561</b>	35 <sup>1</sup> / <sub>2</sub> " (902)	20 <sup>3</sup> / <sub>4</sub> " (527)
<b>Model 661</b>	35 <sup>1</sup> / <sub>2</sub> " (902)	20 <sup>3</sup> / <sub>4</sub> " (527)
<b>Model 642</b>	41 <sup>1</sup> / <sub>2</sub> " (1054)	25 <sup>9</sup> / <sub>16</sub> " (649)
<b>Model 680</b>	41 <sup>1</sup> / <sub>2</sub> " (1054)	25 <sup>9</sup> / <sub>16</sub> " (649)
<b>Model 685</b>	41 <sup>1</sup> / <sub>2</sub> " (1054)	25 <sup>9</sup> / <sub>16</sub> " (649)
<b>Model 632</b>	47 <sup>1</sup> / <sub>2</sub> " (1207)	29 <sup>1</sup> / <sub>4</sub> " (743)
<b>Model 690</b>	47 <sup>1</sup> / <sub>2</sub> " (1207)	29 <sup>1</sup> / <sub>4</sub> " (743)
<b>Model 695</b>	47 <sup>1</sup> / <sub>2</sub> " (1207)	29 <sup>1</sup> / <sub>4</sub> " (743)

NOTE: Dimensions in parentheses are in millimeters.

MINIMUM DOOR CLEARANCE AT 90°



Models 601R, 601RG, 601F, 611, 611G, 650 and 650G

Models 561, 661, 642, 680, 685, 632, 690 and 695

- ▶ Dimensions in parentheses are in millimeters unless otherwise specified.
- ▶ Refer to the Sub-Zero Design Guide pdf file for additional specifications.



### INTEGRATING CABINETRY

In your plan for panels, be sure you are working with the Sub-Zero panel design family called for in your design. If your customer has chosen the stainless steel design, the unit will be shipped complete with wrapped stainless steel doors and handle hardware. You will not have to install panels.

If you and your client have ordered either a framed or overlay design model, you will be adding panels to give the unit the custom Sub-Zero look. Refer to the Framed or Overlay Panel Applications sections for detailed information.

### BLOCKING FOR SAFETY

To prevent the unit from tipping forward and provide a stable installation, the unit must be secured in place with an anti-tip blocking device. If there is a solid soffit above the unit with clearance between the unit and the soffit of 1" (25) or less, you won't need to block the unit. But for installations with clearances of more than 1" (25), **you must block the unit** with the anti-tip blocking kit (wood block and hardware) provided with each Sub-Zero 600 Series unit.

The 600 Series Installation Guide packed with the appliance will give you step-by-step procedures for making sure the unit is installed properly.

- ▶ *Dimensions in parentheses are in millimeters unless otherwise specified.*
- ▶ *Refer to the Sub-Zero Design Guide pdf file for additional specifications.*