



SECTION 5

AIR FLOW

AIRFLOW DIAGRAMS

For proper airflow, evaporator fan blades must be pushed onto the fan motor shafts fully, so that the motor shafts touch the fan blade stop point.

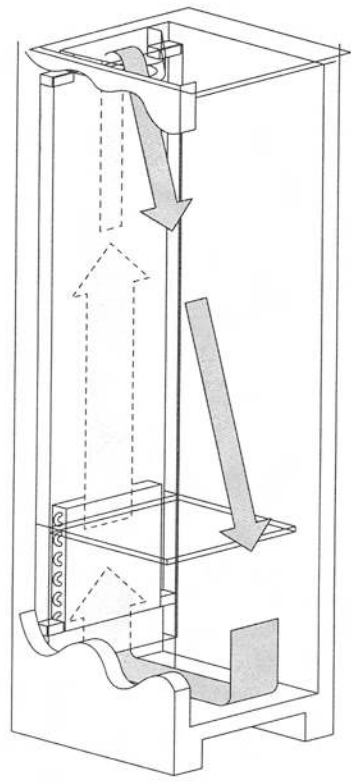


Figure 5-1. IC-27R Airflow

For proper airflow, evaporator fan blades must be pushed onto the fan motor shafts fully, so that the motor shafts touch the fan blade stop point.

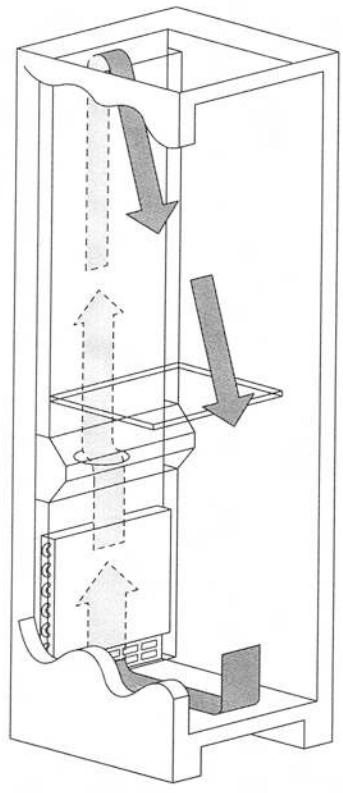


Figure 5-2. IC-27F Airflow