

AIRFLOW AND FAN BLADE SPACING DIAGRAMS

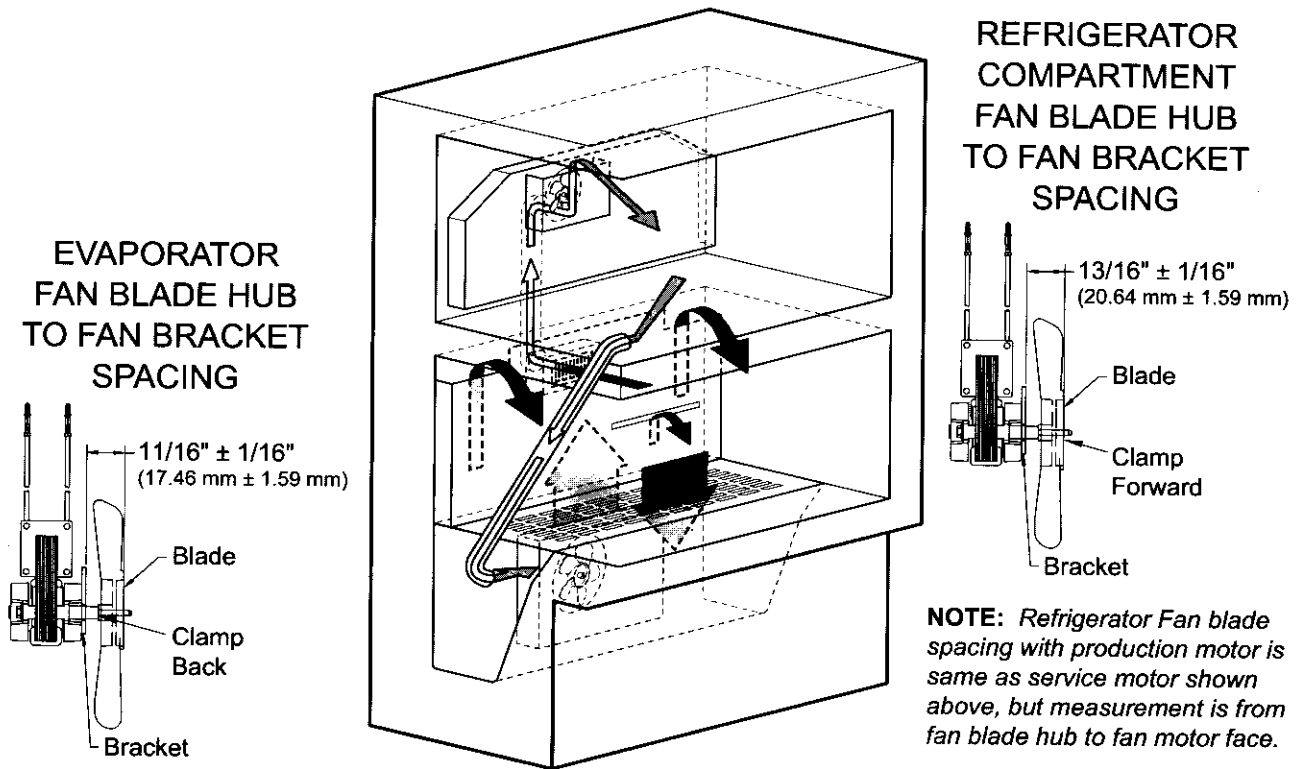


Figure 5-1. 700BC/I-3 Airflow and Fan Blade Spacing

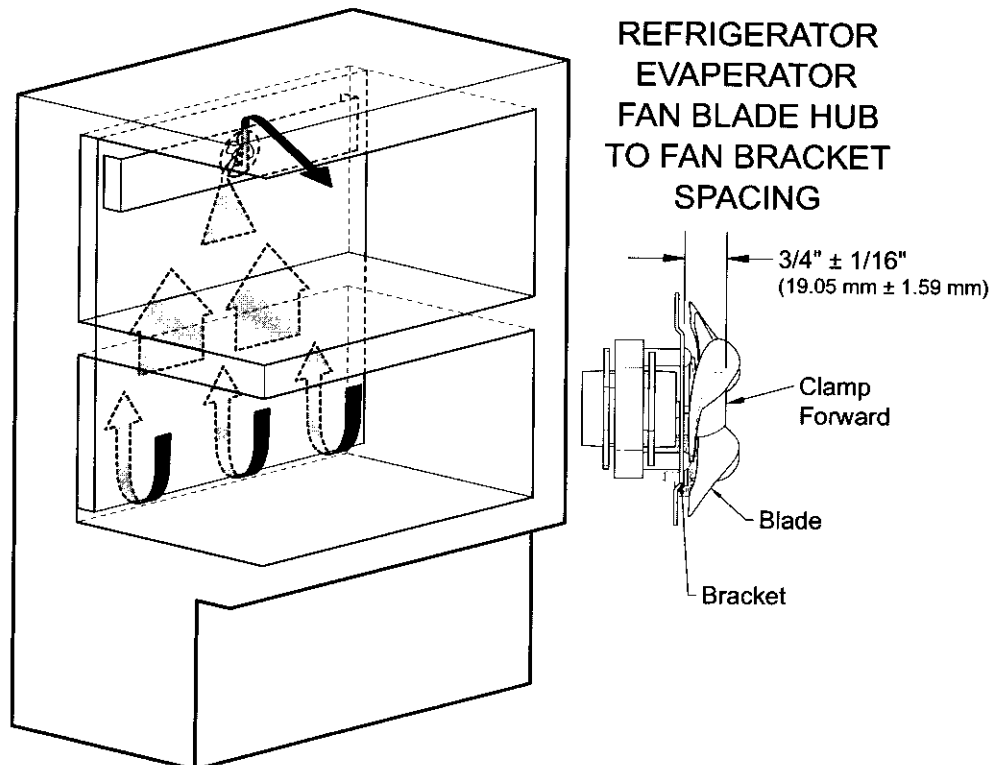


Figure 5-2. 700BR-3 Airflow and Fan Blade Spacing

**EVAPORATOR
FAN BLADE HUB
TO FAN BRACKET
SPACING**

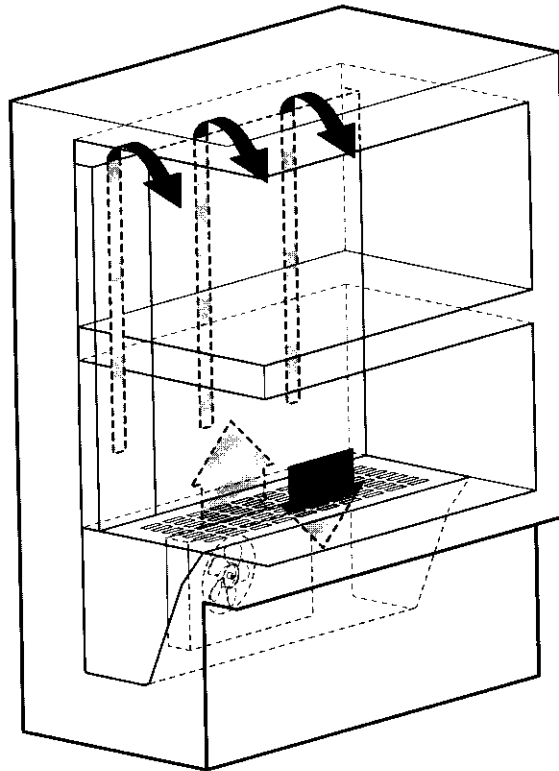
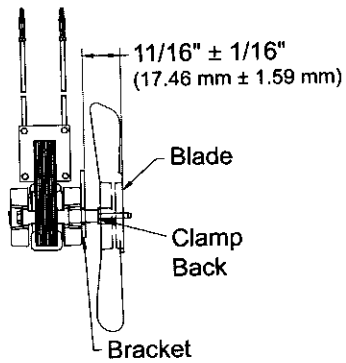


Figure 5-3. 700BF/I-3 Airflow and Fan Blade Spacing