



INSTALLATION CONSIDERATIONS

This section covers some of the more common installation issues seen by a service technician. An improper installation, though not a valid service issue, has the potential to lead to a customer placing a call for service. Installation related customer complaints could include, but are not limited to: Unit leveling, unit movement, door misalignment, drawers not sealing, internal frost or condensation, warm compartment temperatures, exterior condensation, etc..

NOTE: If additional installation information is needed, refer to the complete Installation Manual and/or installation video, or contact the Sub-Zero Technical Assistance Department.

⚠ WARNING

UNIT COULD TIP FORWARD UNDER CERTAIN LOAD CONDITIONS. FAILURE TO INSTALL ANTI-TIP COMPONENTS AND EXTEND LEVELERS TO THE FLOOR ACCORDING TO INSTALLATION MANUAL COULD RESULT IN SERIOUS PERSONAL INJURY OR DEATH.

Unit Leveling

NOTE: The kickplate/grille must be removed before leveling (See Figure 2-1).

If unit has been anchored to cabinets, side molding strips must be removed and anchor screws extracted from unit to cabinet brackets before leveling (See Figure 2-2).

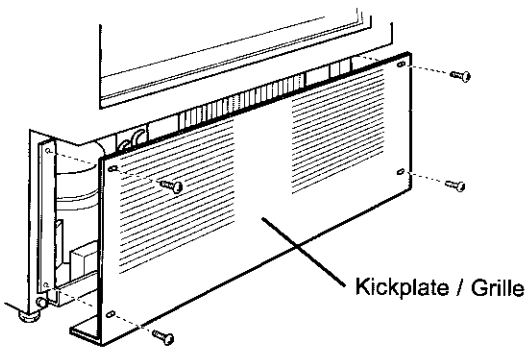


Figure 2-1. Kickplate/Grille Removal

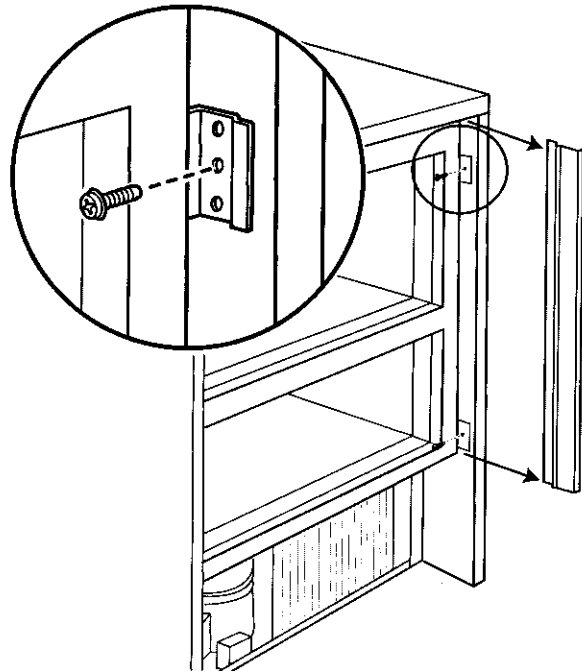


Figure 2-2. Side Molding & Bracket

To level unit, turn front leveling legs counterclockwise to raise front or clockwise to lower it. To assist in turning front leveling legs, use standard straight-blade screwdriver, placing it in foot of front leg, then rotate leveler foot (See Figure 2-3).

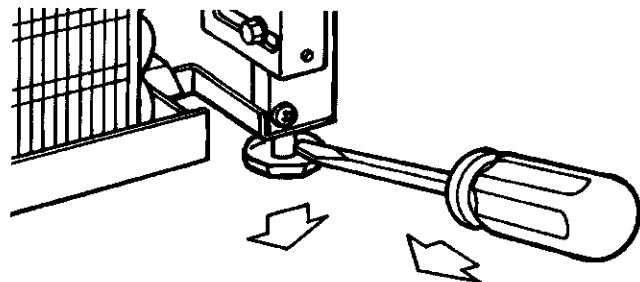


Figure 2-3. Adjusting Front Levelers



Rear levelers are adjusted at front of base by turning Phillips head adjusting rod, which engages rear leveler assembly. Turn rod clockwise to raise rear or counter-clockwise to lower it (See Figure 2-4).

NOTE: Rear leveling legs will only move 1/16" for every 18 revolutions of Phillips head adjusting rod.

CAUTION
Do not over torque. Use lowest torque setting on any power screwdriver. Do not turn rear leveling legs by hand, doing so will damage the assembly.

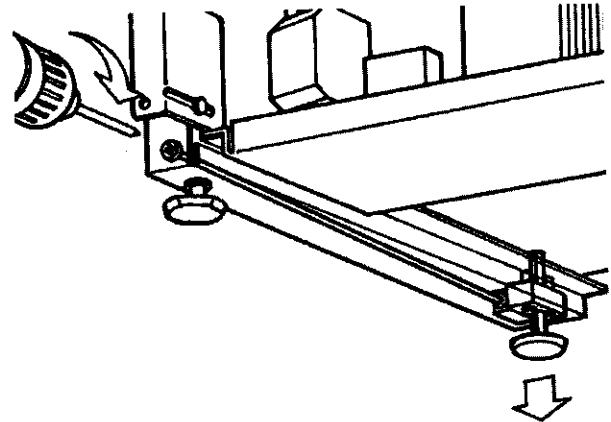


Figure 2-4. Adjusting Rear Levelers

Door and Drawer Adjustment

Doors and drawers on 700-3 Series units are non-adjustable. Instead, door and/or drawer panels must be adjusted if there are alignment problems. Refer to Installation Manual and/or installation video for panel installation and adjustment.

NOTE: Unit must be level before attempting to adjust door and drawer panels.

Dual Unit Installations

CAUTION
If two or more units are placed side by side and are 2" or less apart, a dual unit heater package must be applied to the left side of the right hand unit. Failure to install the dual unit heater package could result in exterior condensation between the units.

- If two Base units are installed side by side and are 2" or less apart, use part #BBDUAL.
- If a Tall unit is installed next to a Base unit and they are 2" or less apart, use part #BBDUAL.

NOTE: Complete installation instructions are supplied with #BBDUAL and #TTDUAL packages.

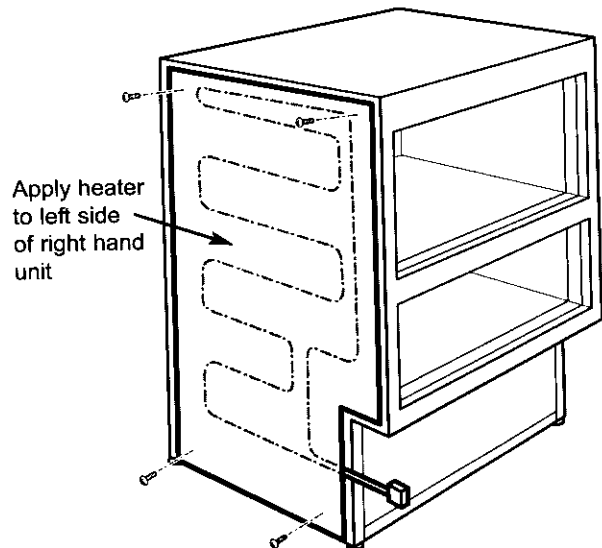


Figure 2-5. Dual Unit Heater Installation